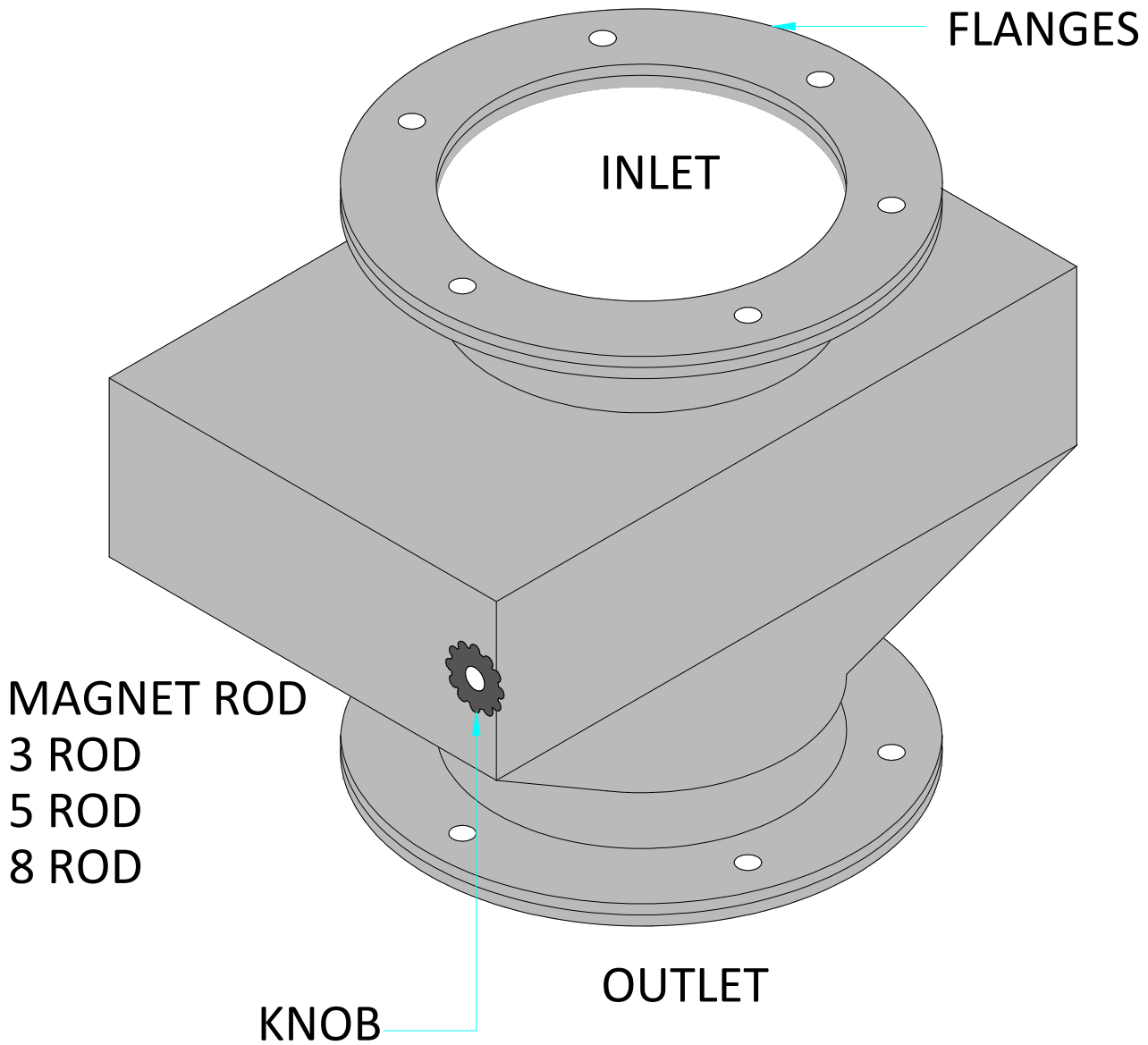


# MMC MAGNET BOX



MM CONSULTANCY SERVICES, DEWAS		
S.NO.	TECHNICAL SPECIFICATION	MM CONSULTANCY
1	MODEL	MMC MAGNET BOX
2	FRAME	SS MAKE
3	TYPES	3 ROD / 5 ROD / 8 ROD
4	MAGNET ROD	6 INCH / 8 INCH
5	INLET	120MM / 150MM
6	MAGNET GRILL	SINGLE / DOUBLE / TRIPLE



[www.truckloader.in](http://www.truckloader.in)  
[mmcsales@truckloader.in](mailto:mmcsales@truckloader.in)