

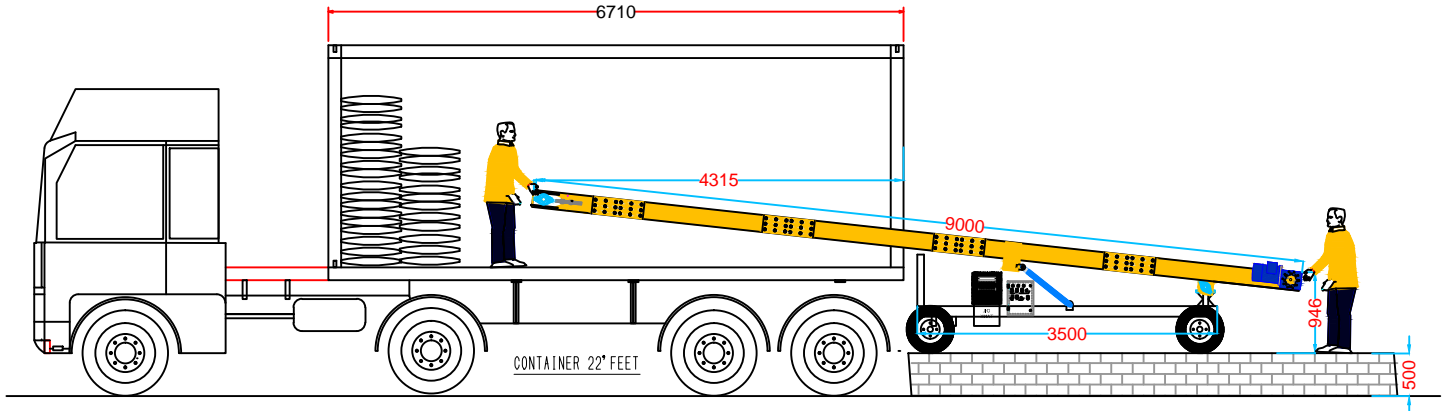
MM CONSULTANCY SERVICES, DEWAS

S.NO	TECHNICAL SPECIFICATION	MM CONSULTANCY
1	MODEL	MMC TL 8P EXTENDED
2	CHASSIS I BEAM	(3000X800X125MM)
3	CONVEYOR LENGTH	9000MM
4	CONVEYOR WIDTH	700MM
5	ELEVATION	15FT
6	TRUCK PENETRATION	14 FT
7	MOTORS	3HP- BELT MOTOR 1HP- POWER PACK
8	LOAD CAPACITY	50KG/MTR
9	BELT WIDTH	550MM

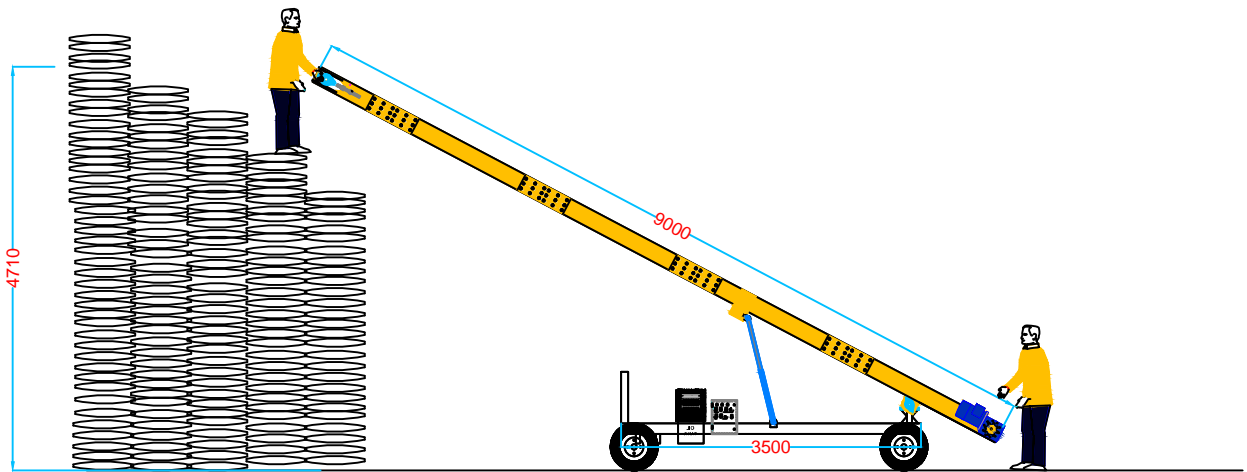


www.truckloader.in

**MMC TRUCK LOADER 8P EXTENDED**



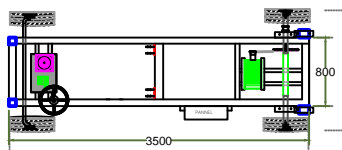
**SIDE VIEW**



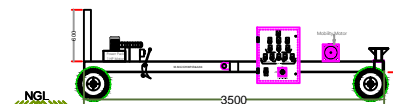
**ELEVATION**



**TOP VIEW**



**TOP VIEW**



**SIDE VIEW**